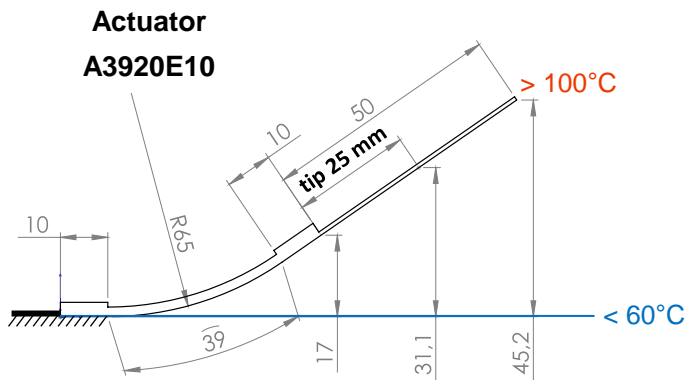
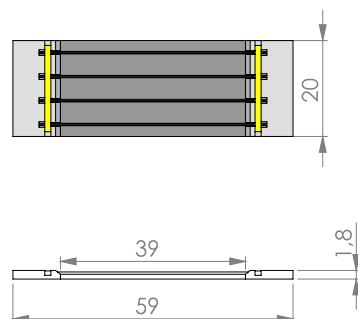


Datasheet Actuator: *Curve*® unplugged A3920E10

- Active length: **39 mm**
- Module size: **59 mm x 20 mm x 1.8 mm**
- Bending: **high (E10)**
- Weight: **2.3 g + hosting structure**
- Hosting structure: **steel + rivets, tip 25 mm**
size 94 x 20 x 0.35 mm³
- Load range with high cycling stability (> 300.000)
 - at module edge: **320 g**
 - at 25 mm: **210 g**
 - at 50 mm: **160 g**



M3920E10 – Actuator Module only

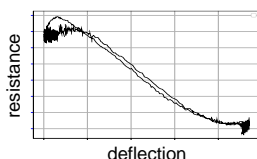
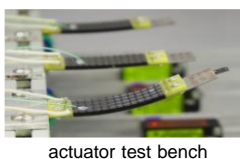


- Operating mode: **unplugged**
- Thermal activation by: **external heating**
- Possible external heating: **convection, radiation, conduction**
- Maximum temperature: **130°C (permanent)**
>150°C (short-term)

Customized, high-performance actuators by ...

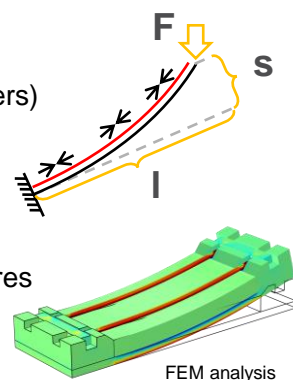
... high-tech solutions

- reliable load transfer
- proven cycle stability
- injection molded frame elements
- special SMA material specifications
- high temperature FRP
- self-sensing capability



... individual design

- substrate (metals, polymers)
- size
- deflection
- load / cycles
- wire material / temperatures
- electrical resistance



... customized mechanical fixation

- adhesive films
- liquid adhesives
- bolts, rivets, screws
- plug-on

... various electrical connection

- crimping
- soldering
- plugging in
- welding

